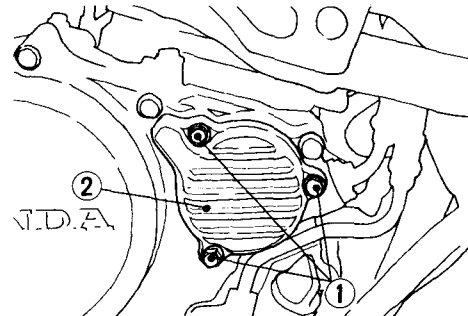


Engine Oil Filter

NOTE:

- * Change the filter after draining the engine oil.
- 1. Remove the oil filter bolts (1) and cover (2).
- 2. Remove the oil filter element (3) from the cover.
- 3. Check that the O-rings (4) on the oil filter bolt and cover is in good condition.



(1) Bolts

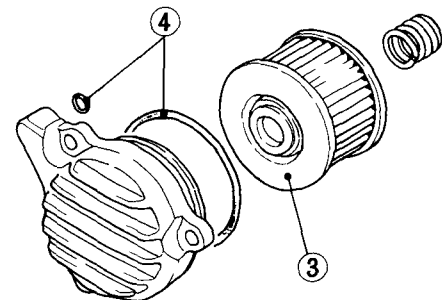
(2) Cover

- 4. Insert a new oil filter element. Check that all parts are installed as shown. Install the oil filter cover.

Oil Filter Bolt Torque:

10 N·m (1.0 kg·m, 7 ft·lb)

- 5. Perform steps 6–9 of Engine Oil Change. Engine oil after draining and oil filter change:
1.4 ℓ (1.5 US qt, 1.2 Imp qt)



(3) Element

(4) O-rings