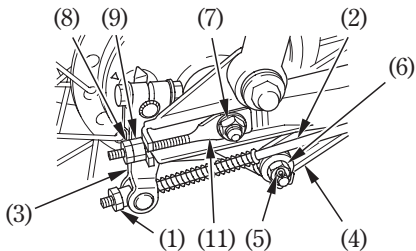


Rear Wheel Removal

Refer to the Safety Precautions on page 63 .

1. Place the motorcycle on its center stand.
< Except GR type >
Remove the chain covers (page 81).
2. Remove the rear brake adjusting nut (1).
Disconnect the brake rod (2) from the brake arm (3).

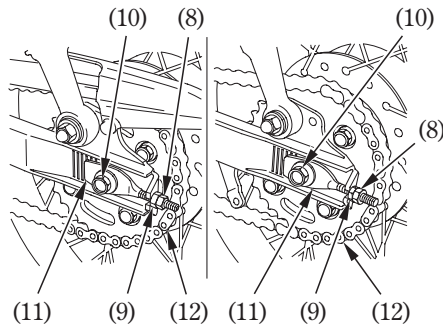


- | | |
|------------------------------|--------------------------------|
| (1) Rear brake adjusting nut | (6) Stopper arm nut |
| (2) Brake rod | (7) Rear axle nut |
| (3) Brake arm | (8) Drive chain lock nuts |
| (4) Brake stopper arm | (9) Drive chain adjusting nuts |
| (5) Cotter pin | |

3. Disconnect the brake stopper arm (4) from the brake panel by removing the cotter pin (5), stopper arm nut (6), washer and rubber grommet.
4. Remove the rear axle nut (7) and loosen the drive chain lock nuts (8) and drive chain adjusting nuts (9).

< GR type >

< Except GR type >



- | |
|----------------------------|
| (10) Rear axle shaft |
| (11) Drive chain adjusters |
| (12) Drive chain |