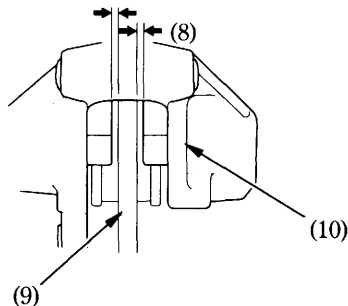


8. Visually check that the clearance (8) between each surface of the brake disc (9) and the brake caliper body (10) (not brake pads) is symmetrical.
9. **CB1300A/SA**  
Install the speed sensor guide assemblies to the right fork leg and tighten the fixing bolts to the specified torque:  
8.8 N·m (0.9 kgf·m , 6.5 lbf·ft)
10. Remove the protective tapes from the front wheel.

If a torque wrench was not used for installation, see your Honda dealer as soon as possible to verify proper assembly. Improper assembly may lead to loss of braking capacity.



- (8) Clearance
- (9) Brake disc
- (10) Brake caliper body