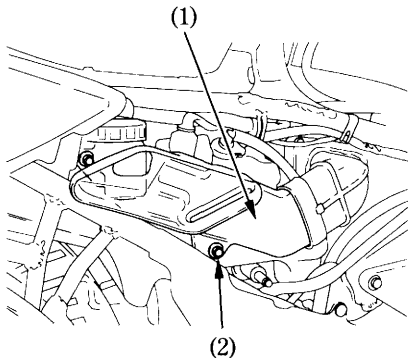


AIR CLEANER

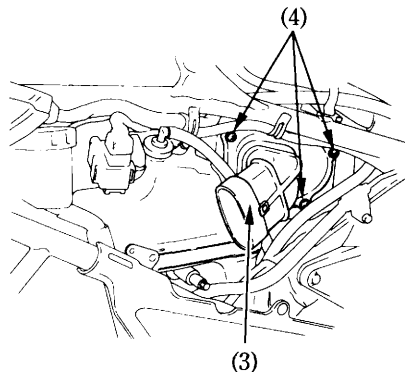
(Refer to the maintenance precautions on page 61).

The air cleaner should be serviced at regular intervals (page 55). Service more frequently when riding in unusually wet or dusty areas.



(1) Duct

(2) Bolt



(3) Air cleaner housing cover

(4) Screws