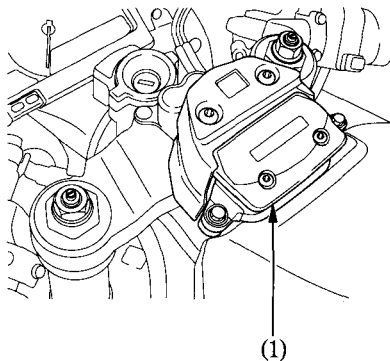


HESD (Honda Electronic Steering Damper)

This motorcycle is equipped with the electronically-controlled steering damper.

The HESD automatically controls the steering damper characteristics in accordance with the vehicle speed and the acceleration.

If the HESD indicator and red malfunction indicator (MIL) lights at any time, reduce speed and take the motorcycle to your Honda dealer as soon as possible.



(1) HESD