

### Main fuse A:

The main fuse A (1) is located under the front seat.

The specified fuse is:

30A

1. Remove the front seat (page 54).
2. Disconnect the wire connector (2) of the starter magnetic switch.
3. Pull out the old fuse and install a new fuse. The spare fuse (3) is located the starter magnetic switch holder.
4. Reconnect the connector and install the front seat.

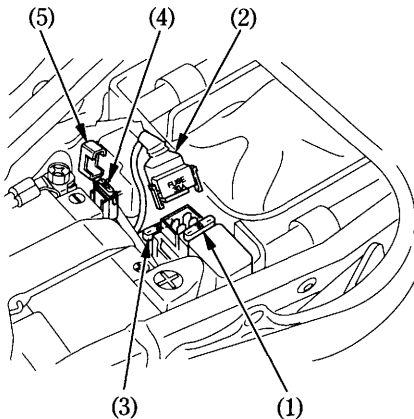
### Main fuse B:

The main fuse B (4) is located under the front seat.

The specified fuse is:

20A

1. Remove the front seat (page 54).
2. Open the fuse box cover (5).
3. Pull out the old fuse and install a new fuse. The spare fuse is located in the fuse box.
4. Close the fuse box cover and install the front seat.



- |                       |                    |
|-----------------------|--------------------|
| (1) Main fuse A       | (4) Main fuse B    |
| (2) Wire connector    | (5) Fuse box cover |
| (3) Spare main fuse A |                    |