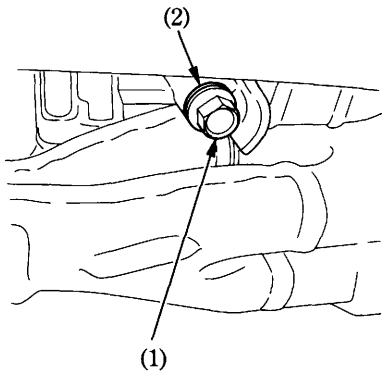
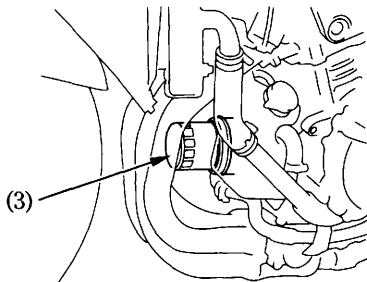


1. Remove the lower cowl (page 68 ).
2. To drain the oil, remove the oil filler cap and crankcase drain plug (1) and sealing washer (2).



(1) Crankcase drain plug    (2) Sealing washer

3. Remove the oil filter (3) with a filter wrench and let the remaining oil drain out. Discard the oil filter.



(3) Oil filter