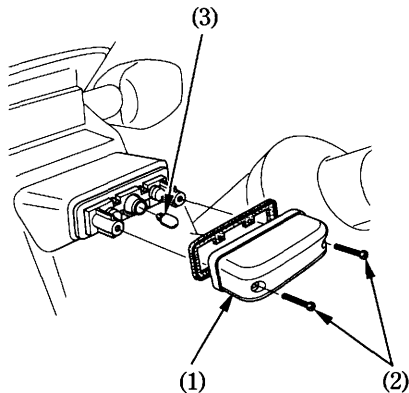


## License Light Bulb

1. Remove the license light lens (1) by removing the screws (2).
2. Pull out the bulb (3) without turning.
3. Install a new bulb in the reverse order of removal.



- (1) License light lens
- (2) Screws
- (3) Bulb