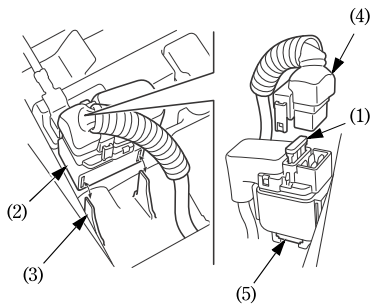


Main Fuse:

The main fuse (1) is located under the seat.
The specified fuse is:

10 A

1. Remove the seat (page 41).
2. Remove the starter magnetic switch (2) from the rear fender (3).
3. Disconnect the wire connector (4) of the starter magnetic switch.
4. Pull out the fuse. If the main fuse is blown, install a new fuse.
The spare main fuse (5) is located under the starter magnetic switch.
5. Reconnect the wire connector and install the starter magnetic switch.
6. Install the seat.



- | | |
|-----------------------------|---------------------|
| (1) Main fuse | (4) Wire connector |
| (2) Starter magnetic switch | (5) Spare main fuse |
| (3) Rear fender | |

