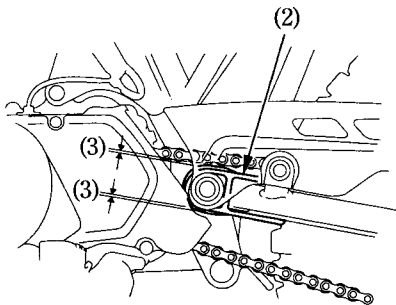


4. Check the chain slider (2) for wear. If the ridge (3) in the center of the slider is worn, have your Honda dealer replace the chain slider.



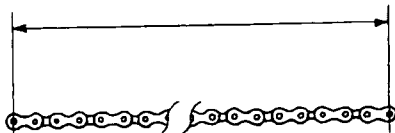
5. Measure a section of the drive chain to determine whether the chain is worn beyond its service limit. Remove the drive chain and measure the distance between a span of pins from pin center to pin center. If the distance exceeds the service limit, the chain is worn out and should be replaced.

**New Chain:**

1,080 mm (42.5 in)

**Service Limit:**

1,101 mm (43.3 in)



Measure a span of : 85 pins.

- (2) Chain slider  
(3) Ridge