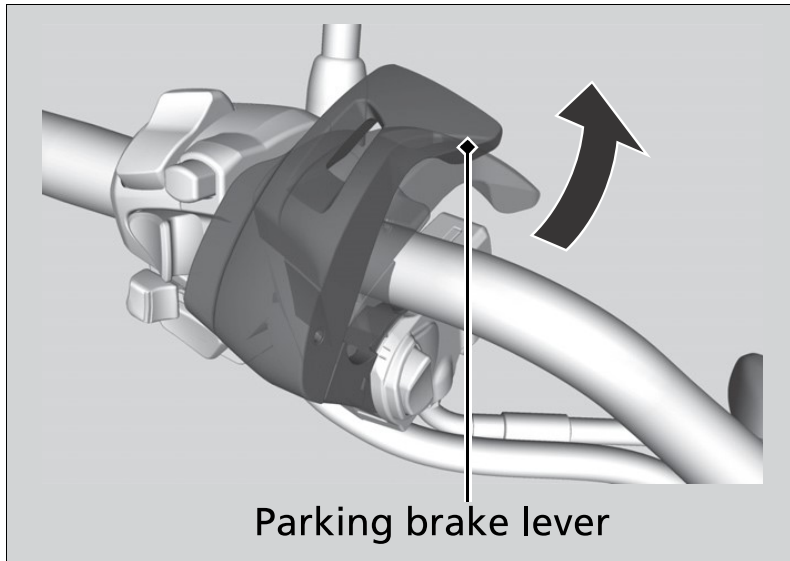


Inspecting the Parking Brake

CTX700D only



Place your motorcycle on a firm, level surface. Stop the engine and push your motorcycle while applying the parking brake lever to check the efficacy of the parking brake.

If the efficacy of the parking brake become weak, have the brake adjusted by your dealer.