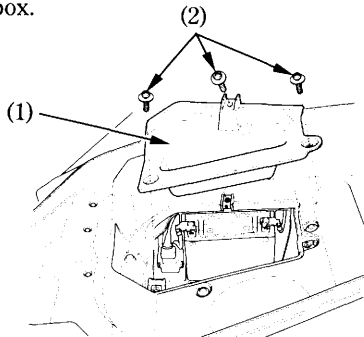
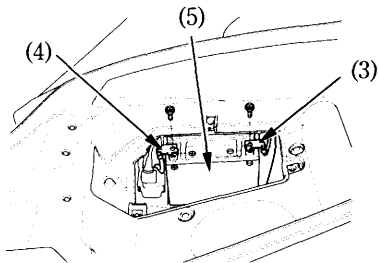


### Battery removal:

1. Lift the seat. (page 40)
2. Remove the battery box cover (1) by removing the screw (2).
3. Disconnect the negative (-) terminal lead (3) from the battery first, then disconnect the positive (+) terminal lead (4).
4. Pull out the battery (5) from the battery box.



- (1) Battery box cover
- (2) Screws



- (3) Negative (-) terminal lead
- (4) Positive (+) terminal lead
- (5) Battery