

MAJOR COMPONENTS

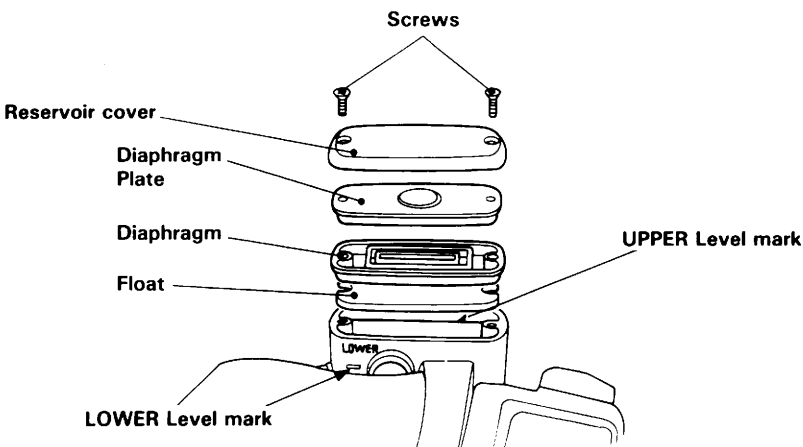
(Information you need to operate this motorcycle)

Check that the fluid level is above the LOWER level mark with the motorcycle in an upright position.

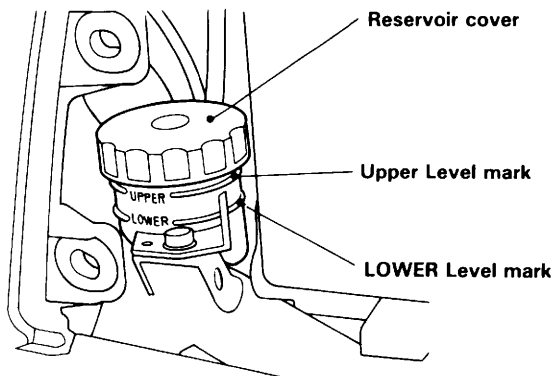
Brake fluid must be added to the reservoir whenever the fluid level begins to reach the LOWER level mark.

Fill the reservoir with DOT 4 BRAKE FLUID from a sealed container up to the upper level mark. Reinstall the removed parts in the reverse order of removal. Tighten the screws securely.

FRONT



REAR



Other Checks:

Make sure there are no fluid leaks. Check for deterioration or cracks in the hoses and fittings.