

3. To drain the oil, remove the oil filler cap (6) and oil drain plug (7).

4. After the oil has completely drained, check that the sealing washer (8) on the drain plug is in good condition and install the drain plug.

Drain plug torque:

12 N·m (1.2 kgf·m , 9 lbf·ft)

5. Place the motorcycle on its side stand, fill the final drive with the recommended grade oil; approximately:

160 cm³ (5.4 US oz , 5.6 Imp oz)

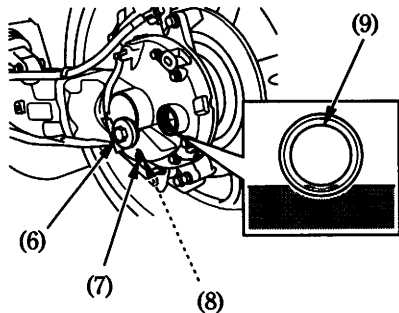
Make sure the final drive is filled up to the lower edge of the oil filler inspection hole (9) with the recommended oil.

6. Install the oil filler cap.

7. Install the final gear cover.

Tighten the bolt A and B to the specified torque:

9 N·m (0.9 kgf·m , 6.6 lbf·ft)



(6) Oil filler cap

(8) Sealing washer

(7) Oil drain plug

(9) Oil filler inspection hole