

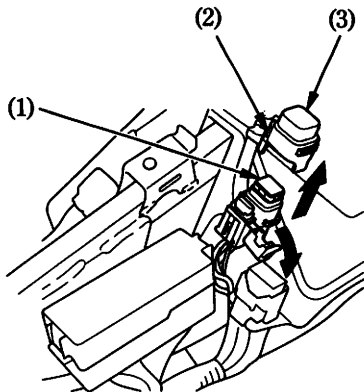
### Main Fuse:

The main fuse (1) is located under the rear seat.

The specified fuse is:

40 A

1. Remove the rear seat (page 71 ).
2. Release the tab (2), then remove the fuse box cover (3).
3. Pull out the old fuse and install a new fuse.
4. Install the fuse box cover.
5. Install the rear seat.



- (1) Main fuse
- (2) Tab
- (3) Fuse box cover