

MAJOR COMPONENTS (Information you need to operate this motorcycle)

▲ WARNING

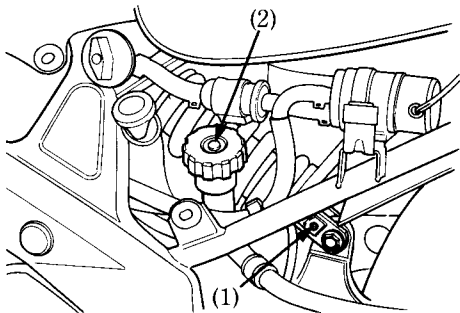
- * If the Pre-ride Inspection (page 41) is not performed, severe personal injury or vehicle damage may result.

SUSPENSION

Rear Suspension

The rear suspension can provide the desired ride under various rider/passenger weight and riding conditions through adjustments of the damping and spring preload adjusters.

Remove left side cover to adjust damping force and spring preload.



- (1) Damping force adjuster
- (2) Spring preload adjuster