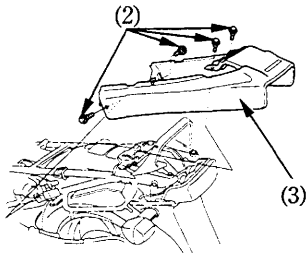


### Main fuse:

The main fuse (1) is located behind the rear cowl. The specified fuse is:

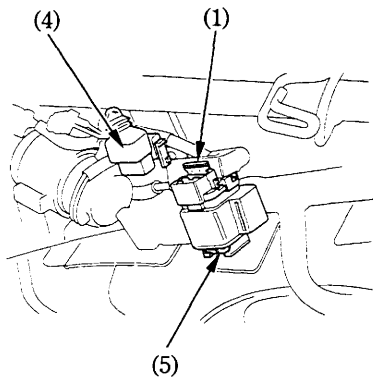
**30A**

1. Remove the seat (page 39).
2. Remove the four bolts (2) and remove the rear cowl (3).
3. Disconnect the wire connector (4) of the stater magnetic switch.
4. Pull out the old fuse and install a new fuse. The spare fuse (5) is located the starter magnetic switch holder.
5. Reconnect the connector and install the rear cowl and seat.



(2) Bolts

(3) Rear cowl



(1) Main fuse

(4) Wire connector

(5) Spare fuse