

Fuse Holder:

The fuse holder is located near the battery.

The specified fuse is:

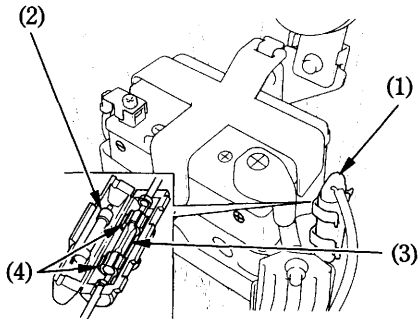
10A

1. Turn the ignition switch OFF before checking or replacing the fuses to prevent an accidental short-circuit.
2. Remove the front upper cover (page 39).
3. Open the fuse holder (1) and lift out the fuse (3) with the clips (4).
4. Slide the old fuse out of the clips and discard it.
5. Slide the clips onto the ends of the new fuse, push them back into the fuse holder, and close the fuse holder.

The spare fuse (2) is located in the fuse holder.

Do not pry the clips open to get a fuse out; you could bend them and cause poor contact with the new fuse. A loose fuse could cause damage to the electrical system and even start a fire.

6. After replacing the fuse, be sure to return the fuse holder to its original location.



(1) Fuse holder

(3) Fuse

(2) Spare fuse

(4) Clips