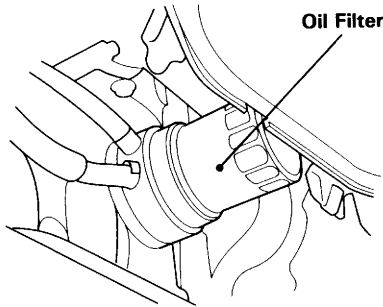
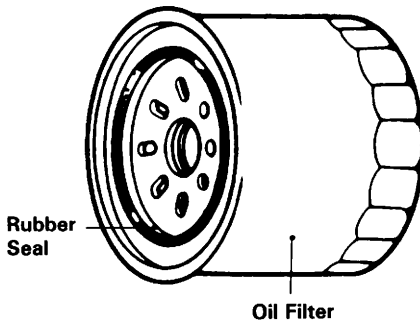


-
2. Remove the oil filter with a filter wrench. Discard the oil filter.



3. Apply a thin coat of engine oil to the rubber seal on the new oil filter.



4. Install the new oil filter and tighten it to the specified torque:
10 N•m (1.0 kg-m, 7 ft-lb)
Use the Honda oil filter or an equivalent filter specified for your model. Other filters not specified for your model may not filter impurities properly.
5. Check that the sealing washer on the drain plug is in good condition. Install the drain plug and tighten it to the specified torque:
35 N•m (3.5 kg-m, 25 ft-lb)