

MAJOR COMPONENTS

(Information you need to operate this motorcycle)

Rear Brake Fluid Level:

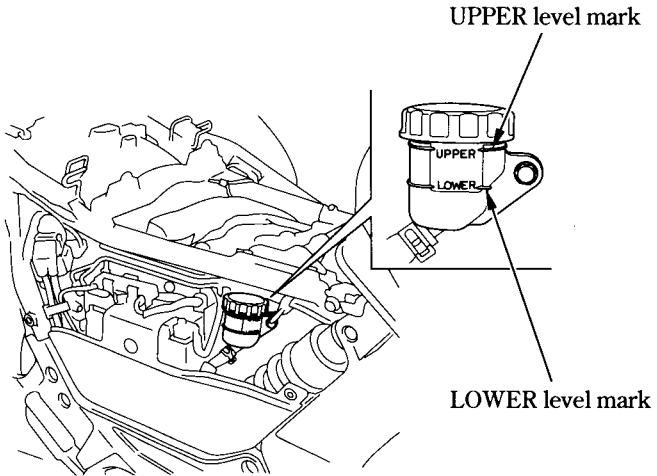
The reserve tank is located below the seat.

Remove the front and rear seat and right side cover (pages 55 , 88).

With the motorcycle in an upright position, check the fluid level. It should be between the UPPER and LOWER level marks. If the level is at or below the LOWER level mark, check the brake pads for wear (page 112).

Worn pads should be replaced. If the pads are not worn, have your brake system inspected for leaks.

The recommended brake fluid is Honda DOT 4 brake fluid from a sealed container, or an equivalent.



Other Checks:

Make sure there are no fluid leaks. Check for deterioration or cracks in the hoses and fittings.