

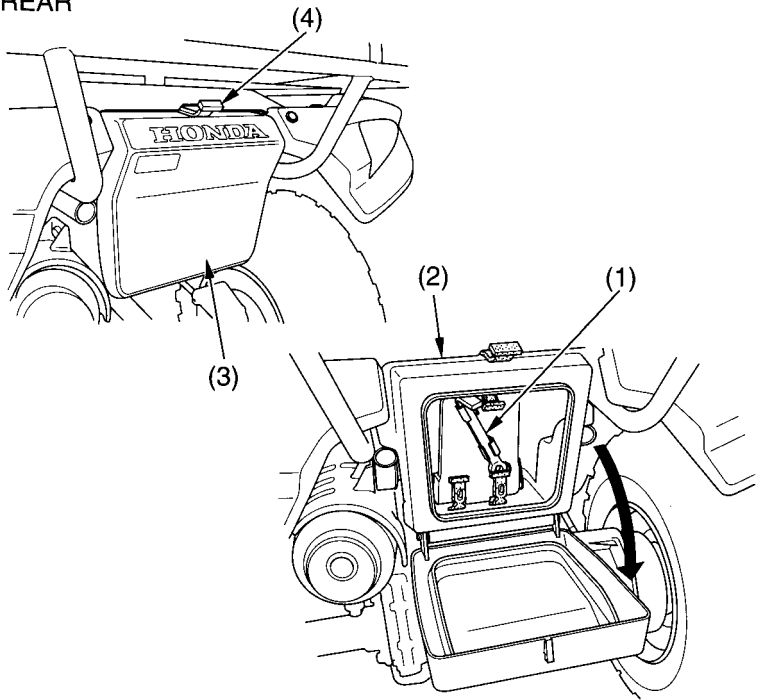
Tool Kit

The tool kit and the gear change tool (1) are stored in the storage compartment (2) below the rear cargo rack.

The tools in the kit are sufficient to perform routine maintenance and simple repairs. Any extensive work requiring additional tools should be performed by your Honda dealer.

To open the tool box lid (3), unhook the rubber band (4).

REAR



(1) gear change tool
(2) storage compartment

(3) tool box lid
(4) rubber band