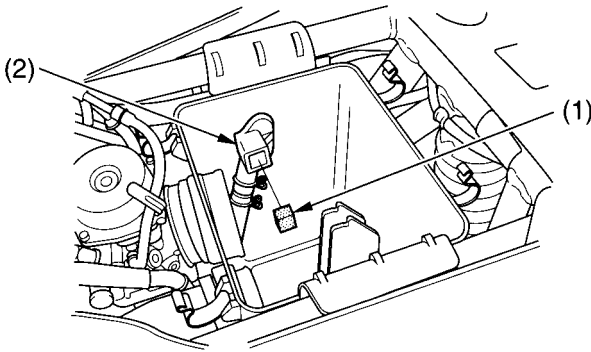


Air Cleaner

11. Install the air cleaner on the air cleaner body.
12. Apply a thin coat of grease to the sealing surface of the air cleaner assembly.
13. Install the clamp.
14. Insert the air cleaner assembly into the air cleaner housing.
15. Fasten the screw.
16. Install the remaining parts in the reverse order of removal.

Dust Cover

UNDER SEAT



(1) dust cover

(2) breather joint

Do not push the dust cover (1) too far into the breather joint (2).
If the dust cover is dirty, clean it.