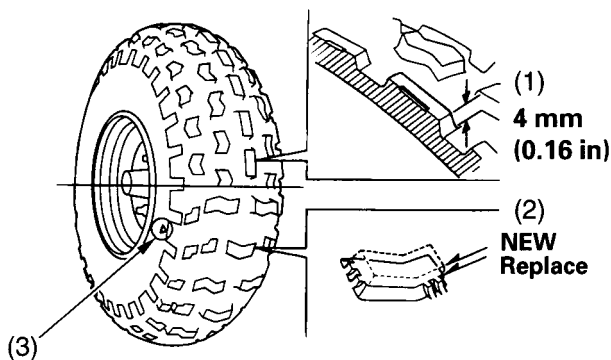


Tyres

Also, if you hit a pothole or other hard object while riding, stop as soon as you safely can and carefully inspect the tyres for damage.

Tread Wear



(1) groove depth
(2) wear indicator

(3) wear indicator location mark

To check the condition of a tyre tread, measure the groove depth (1) in the centre of the tyre, or check the wear indicator (2).

For best performance, you should replace a tyre before the tread depth at the centre reaches the following limits:

front	4 mm (0.16 in)
rear	4 mm (0.16 in)