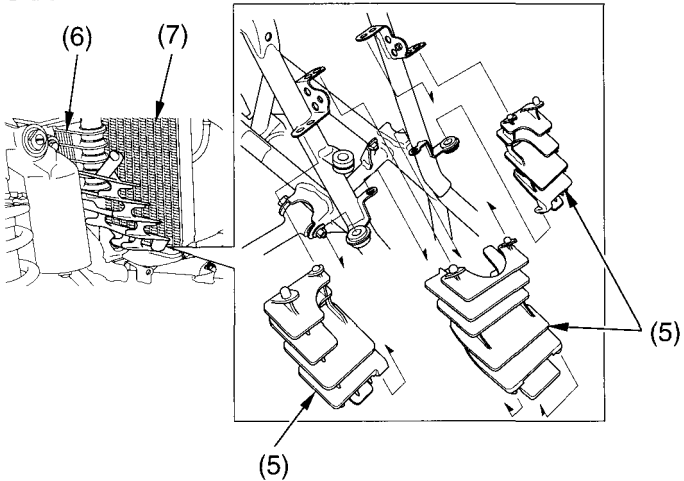


4. Remove the radiator grills (5) from the frame.
5. Wash the radiator grills, oil cooler (6), and radiator core (7).

## NOTICE

*High pressure water (or air) can damage the radiator core and oil cooler.*

### LEFT SIDE



(5) radiator grills  
(6) oil cooler

(7) radiator core

6. Install the radiator grills, right and left shrouds and steering cover in the reverse order of removal.