



Engine Oil & Filter

Checking & Adding Engine Oil

Refer to *Safety Precautions* on page 77.

Check the engine oil level each day before operating your ATV and add if needed.

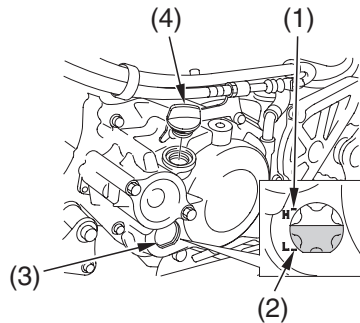
Before riding your ATV, check the engine oil level.

1. Park your ATV on a firm, level surface.
2. Start the engine in a well-ventilated area and let it idle for 3–5 minutes. Stop the engine and wait 2–3 minutes.
3. Check that the engine oil level is between the upper (1) and lower (2) level marks in the inspection window (3) located on the left side of the crankcase cover.
4. If required, remove the engine oil filler cap (4) from the left side of the crankcase and add the specified oil into the filler cap hole, up to the upper level mark in the inspection window. Do not overfill.
5. Reinstall the engine oil filler cap. Check for oil leaks.

NOTICE

Running the engine with an improper oil level can cause serious engine damage.

LEFT SIDE



(1) upper level mark (H)

(2) lower level mark (L)

(3) inspection window

(4) engine oil filler cap