

Engine Oil & Filter

4. Remove the oil filter bolt (6) and oil filter cover (7).

Let the remaining oil drain out.

5. Remove the oil filter (8) from the cover.
6. Remove the spring and washer. Do not discard the washer with the old oil filter.
7. Discard the oil filter in an approved manner (page 218).
8. Check the O-rings (9) are in good condition and then insert a new oil filter to the oil filter cover.

Use only the Honda genuine oil filter or a filter of equivalent quality specified for your model. Using the wrong Honda filter or a non-Honda filter which is not of equivalent quality may cause engine damage.

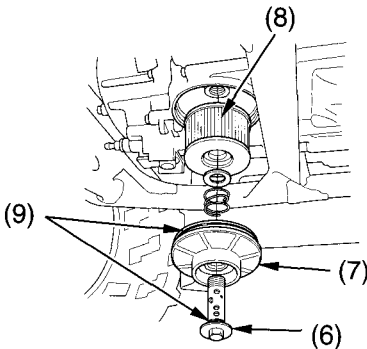
9. Install the oil filter cover and tighten the oil filter bolt. Make sure the oil filter bolt is tightened securely to the specified torque.

Oil filter bolt torque:

13 lbf·ft (18 N·m , 1.8 kgf·m)

NOTICE

Improper installation of the oil filter can cause serious engine damage.



(6) oil filter bolt
(7) oil filter cover

(8) oil filter
(9) O-rings

(cont'd)