



Controls & Features

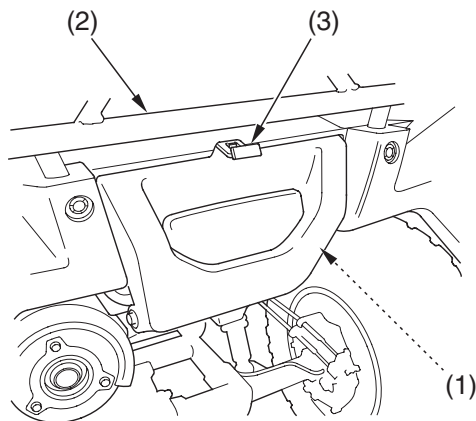
Storage Compartment

The storage compartment (1) is located below the rear cargo rack (2).

To open the compartment, unhook the rubber strap (3).

Be careful not to flood this area when washing your ATV.

REAR



- (1) storage compartment
- (2) rear cargo rack
- (3) rubber strap

