

# Drive Chain

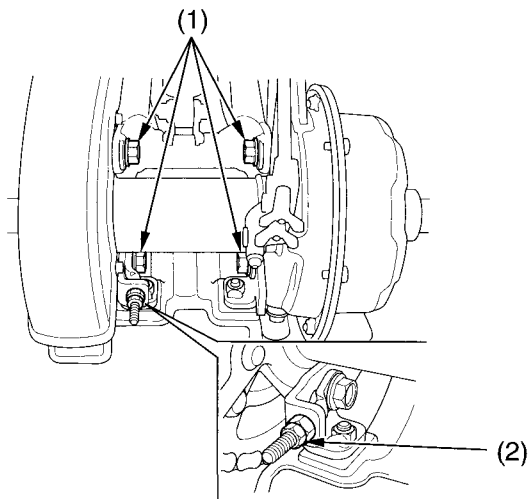
## Adjustment

Refer to *Safety Precautions* on page 84 .

1. To adjust slack, loosen the rear axle holder fixing bolts ( 1 ).
2. Turn the adjusting nut ( 2 ) to decrease or increase chain slack.
3. Retighten the rear axle holder fixing bolts.
4. Rear axle holder fixing bolts torque:  
65 lbf•ft (88 N•m, 9.0 kgf•m)

If a torque wrench is not used for this installation, see your Honda dealer as soon as possible to verify proper assembly.

### REAR



- (1) rear axle holder fixing bolts  
(2) adjusting nut