

# Controls & Features

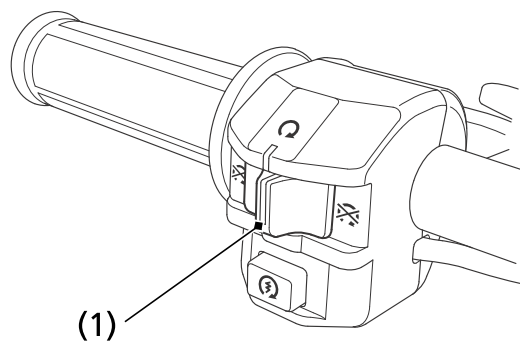
## Engine Stop Switch



The engine stop switch (1) is used to stop the engine in an emergency. To operate, slide the switch to the OFF (⊗) position. The switch must be in the RUN (○) position to start the engine, and it should normally remain in the RUN (○) position even when the engine is OFF.

If your ATV is stopped with the ignition switch ON (I) and the engine stop switch OFF (⊗), the battery will discharge. Turn the ignition switch OFF (O) to prevent battery discharge.

### LEFT HANDLEBAR



(1) engine stop switch

⊗ OFF

○ RUN

## 30 Indicators & Controls