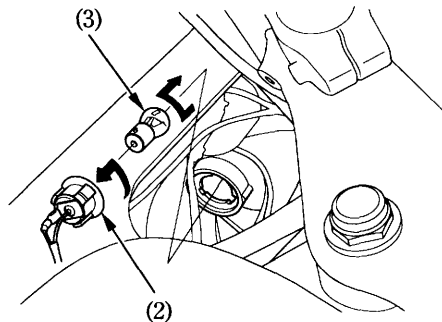


4. Install a new bulb in the reverse order of removal.

NOTE:

- * Do not use bulbs other than that specified.
- * After installing a new bulb, check that the light operates properly.

Front



(2) Socket

(3) Bulb