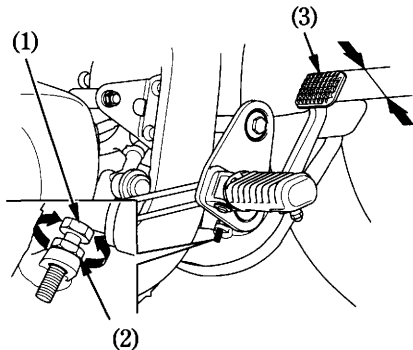


Rear Brake

Adjustment:

1. Place the motorcycle on its side stand.
2. The stopper bolt (1) is provided to allow adjustment of the pedal height.

To adjust the pedal height, loosen the lock nut (2) and turn the stopper bolt. Tighten the lock nut.



- (1) Stopper bolt
(2) Lock nut

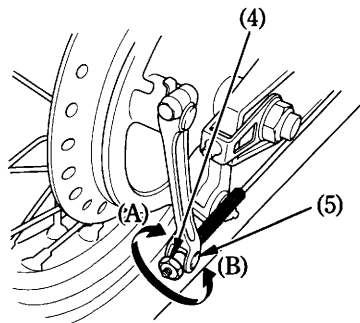
- (3) Rear brake pedal

3. Measure the distance the rear brake pedal (3) moves before the brake starts to take hold.

Free play should be:

20–30 mm (0.8–1.2 in)

4. If adjustment is necessary, turn the rear brake adjusting nut (4).



- (4) Adjusting nut
(5) Arm pin

- (A) Decrease free play
(B) Increase free play