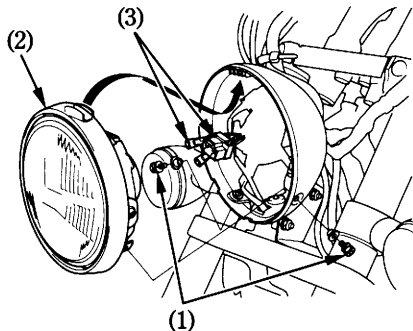


## Headlight/Position Light Bulb

1. Remove the three screws (1) from the headlight case.
2. Gently pull the lower end of the headlight (2) forward and remove the headlight.
3. Disconnect the connectors (3).
4. —Headlight bulb:
  - Remove the seat rubber (4).
  - Remove the headlight bulb (5) while pressing down on the pin (6).

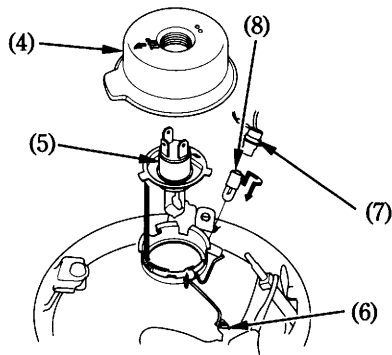


- (1) Screws  
(2) Headlight

(3) Connectors

## —Position light bulb:

- Pull out the socket (7).
  - Slightly press the position light bulb (8) and turn it counterclockwise.
5. Install a new bulb in the reverse order of removal.



- (4) Seat rubber  
(5) Headlight bulb  
(6) Pin

(7) Socket  
(8) Position light bulb