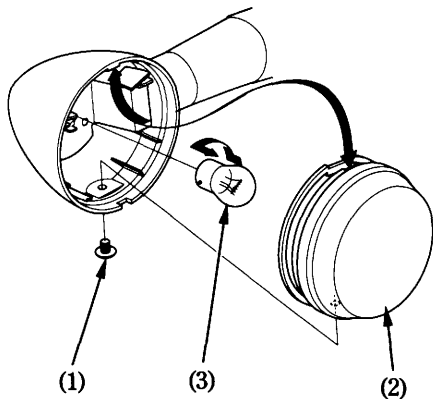


### Front/Rear Turn Signal Bulb

1. Remove the screw (1).
2. Remove the turn signal lens (2).
3. Slightly press the bulb (3) and turn it counterclockwise.
4. Install a new bulb in the reverse order of removal.



- (1) Screw
- (2) Turn signal lens
- (3) Bulb