

BRAKE PAD WEAR

Refer to the Safety Precautions on page 55 .

Brake pad wear depends upon the severity of usage, the type of riding, and road conditions. (Generally, the pads will wear faster on wet and dirty roads.)

Inspect the pads at each regular maintenance interval (page 58).

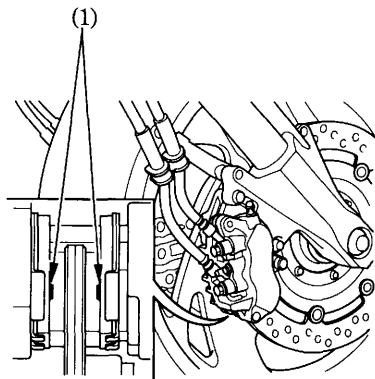
Front Brake

Check the cutout (1) in each pad.

If either pad is worn to the cutout, replace both pads as a set. See your Honda dealer for this service.

< FRONT BRAKE >

Illustration shows right side, left side similar.



(1) Cutouts