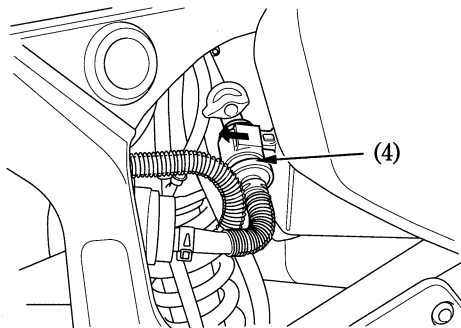
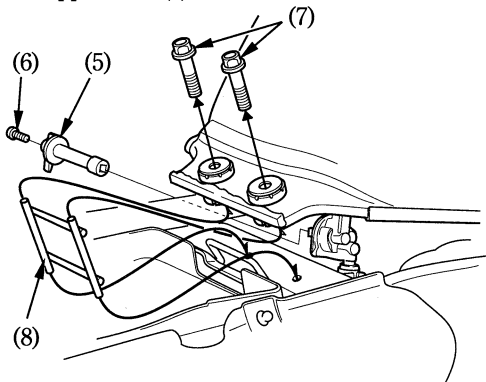


5. Remove the fuel strainer (4).



(4) Fuel strainer

6. Remove the fuel cock lever (5) by removing the screw (6).
7. Remove the fuel tank mount bolts (7).
8. Lift the tank slightly and insert the support rod (8).



(5) Fuel cock lever  
(6) Screw

(7) Fuel tank mount bolts  
(8) Support rod