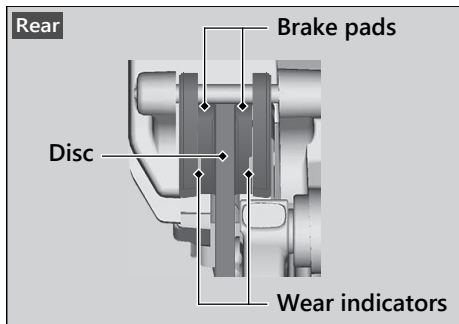


## Brakes ► Inspecting the Brake Pads

2. **Rear** Inspect the brake pads from the rear right of the motorcycle.



If necessary have the pads replaced by your dealer.

Always replace both left and right brake pads at the same time.