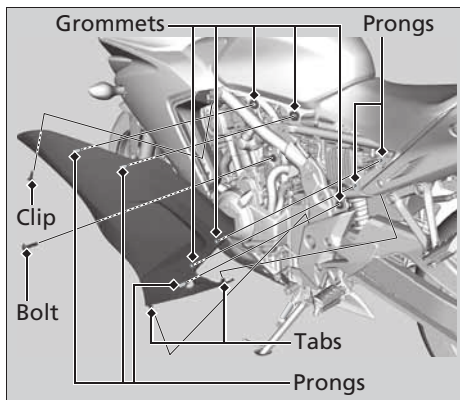


Side Cover



The right and left side covers can be removed in the same manner.

Removal

1. Remove the bolt and clip. ➔ P. 60
2. Remove the prongs from the grommets.
3. Remove the side cover by releasing the tabs.

Installation

Install the parts in the reverse order of removal.