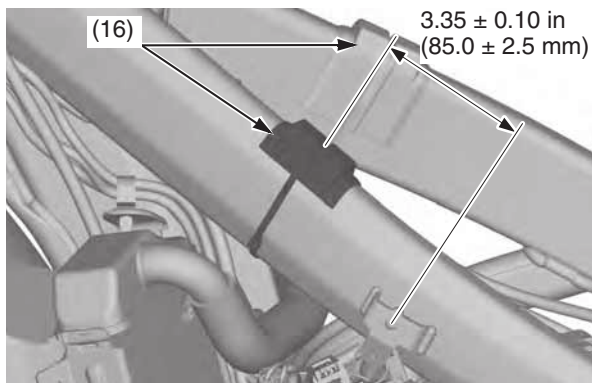


Fuel Tank (CRF450RX)

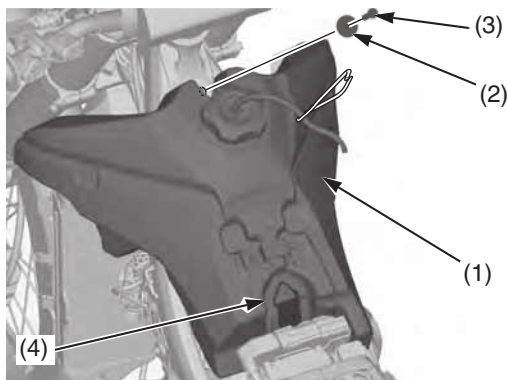
9. Check for interference between the frame and tank, and adjust the cushion rubbers (16) on the both sides of the frame if necessary.



(16) cushion rubbers

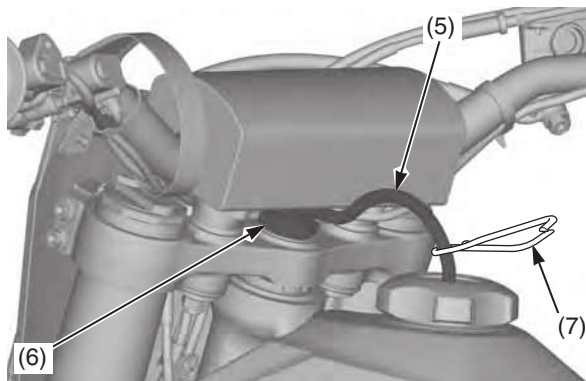
Installation

1. Install the fuel tank (1) on the frame.
2. Install and tighten the collar (2) and fuel tank bolt (3) to the specified torque:
7 lbf·ft (10 N·m, 1.0 kgf·m)
3. Hook the fuel tank band (4).



(1) fuel tank (3) fuel tank bolt
(2) collar (4) fuel tank band

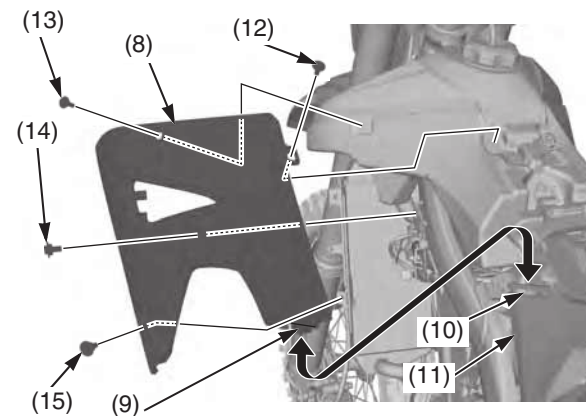
4. Put the breather tube (5) in the steering stem nut (6).
5. Remove the hose clamp (7) from the breather tube.



(5) breather tube (7) hose clamp
(6) steering stem nut

6. Slide the shroud (8) toward the down so that the shroud tab (9) and the slot (10) on the air cleaner housing cover (11) is aligned.
7. Install the shroud D bolt (12), shroud C bolt (13), shroud B bolt (14) and shroud A bolt (15). Tighten the shroud A and B bolts to the specified torque:
7 lbf·ft (10 N·m, 1.0 kgf·m)
Tighten the shroud C and D bolts to the specified torque:
3.8 lbf·ft (5.2 N·m, 0.5 kgf·m)

The right and left shrouds can be installed in the same manner.



(8) shroud (12) shroud D bolt
(9) tab (13) shroud C bolt
(10) slot (14) shroud B bolt
(11) air cleaner housing cover (15) shroud A bolt

8. Install the seat (page 34).