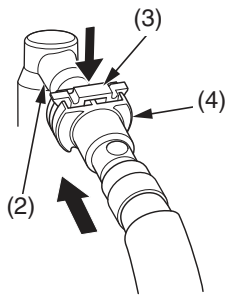


## Fuel System (CRF450RX)

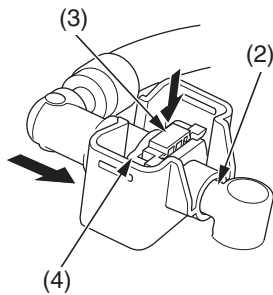
3. Connect the quick connect fitting to the fuel joint (2) until you hear the “click” while holding the connector housing (4). Lock the slide retainer (3) by pushing it until you hear the “click”.

If it is hard to connect, put a small amount of engine oil on the pipe end of the fuel joint.

Injector side:



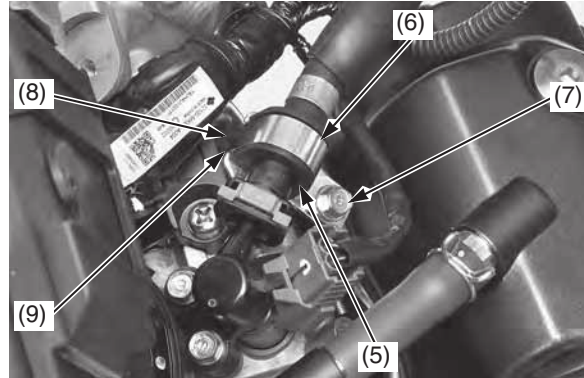
Fuel pump side:



- (2) fuel joint
- (3) slide retainer
- (4) connector housing

4. Make sure the connection is secure and that the slide retainer is firmly locked into place; check visually and by pulling the connector housing.

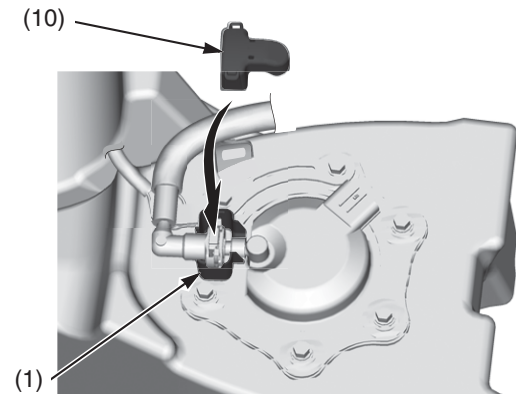
5. Install the setting rubber (5), clamp (6) and bolt (7) by aligning the clamp tab (8) with the groove (9) of the stay. Tighten the bolt securely.



- (5) setting rubber
- (6) clamp
- (7) bolt
- (8) clamp tab
- (9) groove

6. Install the fuel quick connect fitting cover (10).

Be sure the rubber cover (1) is properly installed between the fuel quick connect fitting cover and fuel pump.



- (1) rubber cover
- (10) fuel quick connect fitting cover

7. Increase the fuel pressure (page 51).