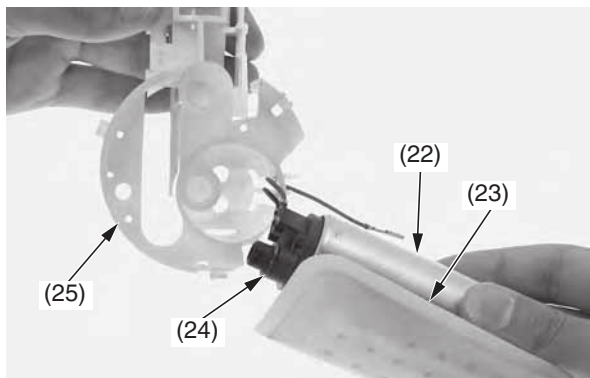


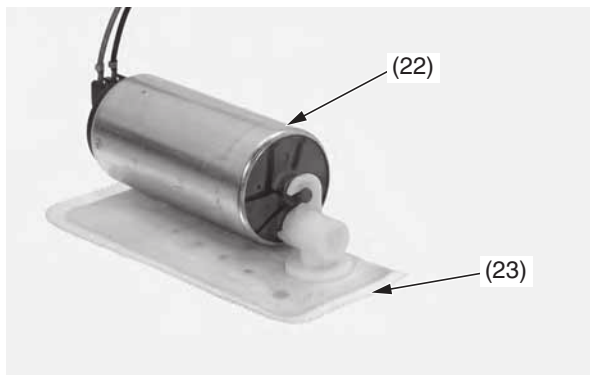
Fuel System (CRF450RX)

12. Remove the fuel pump assembly (22) with fuel pump filter (23), O-ring (24) from the fuel pump unit holder (25).



(22) fuel pump assembly
(23) fuel pump filter
(24) O-ring
(25) fuel pump unit holder

13. Check the fuel pump filter (23) for clog, damage or deterioration and replace it if necessary.
14. Remove the fuel pump filter from the fuel pump assembly (22).

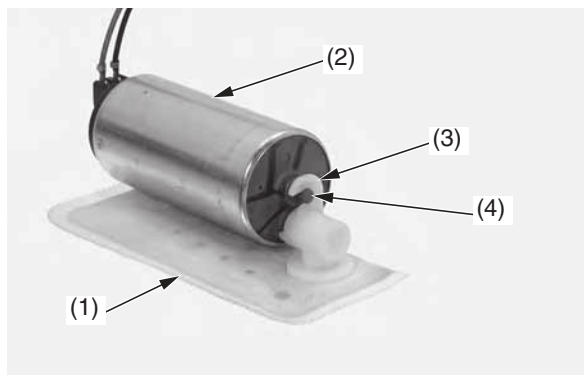


(22) fuel pump assembly
(23) fuel pump filter

Installation

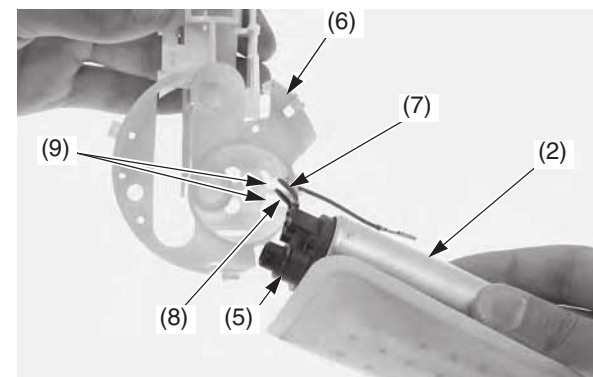
1. Install the fuel pump filter (1) onto the fuel pump assembly (2) aligning its hook (3) with the joint boss (4) completely.

Be careful not to damage the hook.



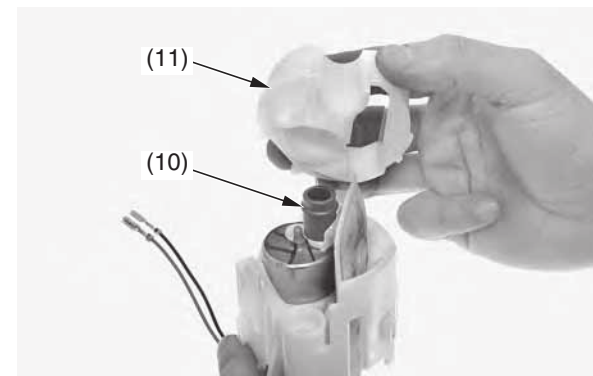
(1) fuel pump filter (3) hook
(2) fuel pump assembly (4) joint boss

2. Apply small amount of engine oil to a new O-ring (5).
Install a new O-ring to the fuel pump assembly (2).
3. Install the fuel pump assembly with fuel pump filter into the fuel pump unit holder (6) while routing the fuel pump red (7) and black (8) wires through the holder grooves (9) as shown.



(2) fuel pump assembly (7) red wire
(5) O-ring (new) (8) black wire
(6) fuel pump unit holder (9) grooves

4. Install a new damper rubber (10) to the fuel pump assembly as shown.
Install fuel pump stopper (11).



(10) damper rubber (new) (11) fuel pump stopper