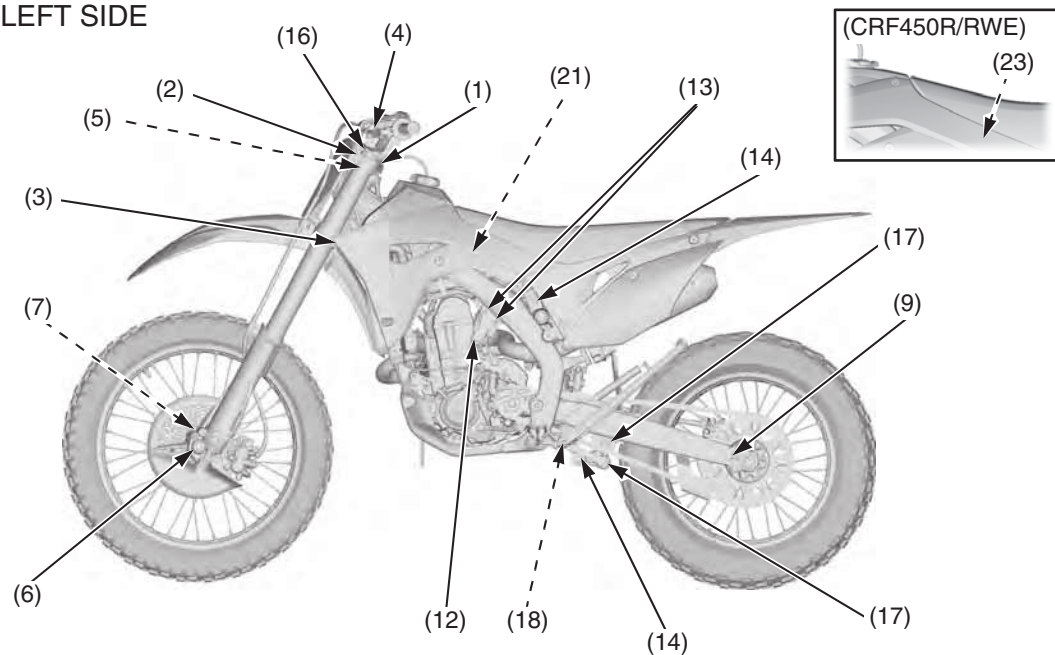
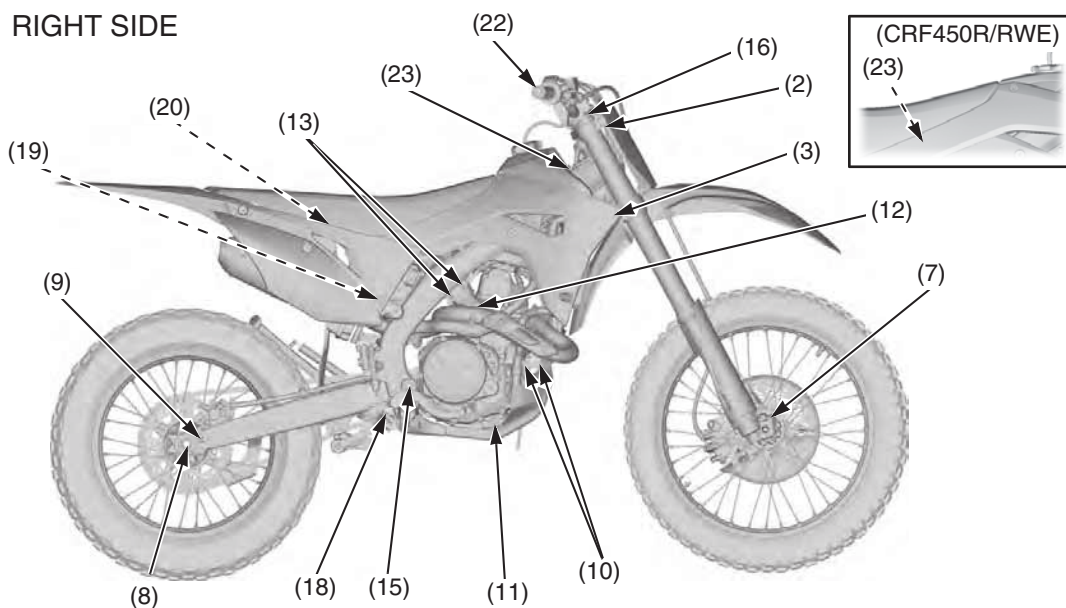


Torque Specifications

LEFT SIDE



RIGHT SIDE



FRAME

	Item	Torque			Remarks
		lb-ft	N-m	kgf-m	
1	Steering stem nut	80	108	11.0	
2	Fork bridge upper pinch bolts	16	22	2.2	
3	Fork bridge lower pinch bolts	15	20	2.0	
4	Handlebar upper holder bolts	16	22	2.2	
5	Handlebar lower holder nuts	32	44	4.5	NOTE 1
6	Front axle nut	65	88	9.0	
7	Axle pinch bolts	15	20	2.0	
8	Rear axle nut	94	128	13.1	NOTE 1
9	Chain adjuster lock nuts	20	27	2.8	NOTE 2
10	Front engine hanger nuts	40	54	5.5	
	Front engine hanger plate nuts	19	26	2.7	
11	Lower engine hanger nut	40	54	5.5	
12	Cylinder head hanger bolts	40	54	5.5	
13	Cylinder head hanger plate bolts	24	32	3.3	
14	Rear suspension (upper)	32	44	4.5	NOTE 1
	(lower)	32	44	4.5	NOTE 1
15	Swingarm pivot nut	65	88	9.0	NOTE 1
16	Fork				
	(fork damper assembly)	56	76	7.7	
	(fork bolt assembly)	22	30	3.1	
17	Rear shock arm nuts				
	(swingarm side)	38	52	5.3	NOTE 1, 5
	(shock link side)	38	52	5.3	NOTE 1, 5
18	Rear shock link bolts	27	37	3.8	NOTE 1, 5
19	Rear shock spring lock nut	32	44	4.5	
20	Battery terminal bolts	1.5	2.0	0.2	
21	Fuel pump mounting bolts (CRF450RX)	8	11	1.1	
	Fuel pump mounting nuts/cap nut (CRF450R/RWE)				
22	Front brake master cylinder holder bolts	7.3	9.9	1.0	
23	Fuel tank bolt (CRF450RX)	7	10	1.0	
	Fuel tank bolts (CRF450R/RWE)				

NOTES: 1. U-nut

2. UBS nut

5. Apply molybdenum oil to the threads and flange surface.