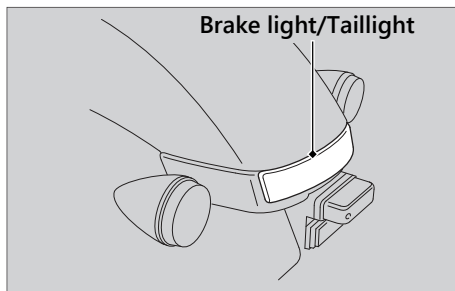


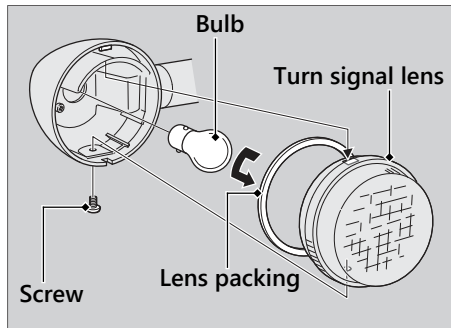
Brake Light/Taillight Bulb



The brake light and taillight uses several LEDs.

If there is a LED which is not turned on, see your dealer for this servicing.

Front/Rear Turn Signal Bulb



1. Remove the turn signal lens by removing the screw.
2. Slightly press the bulb and turn it counterclockwise.
3. Install a new bulb and removed parts in the reverse order of removal.
 - After putting back the lens packing in place, install the turn signal lens.