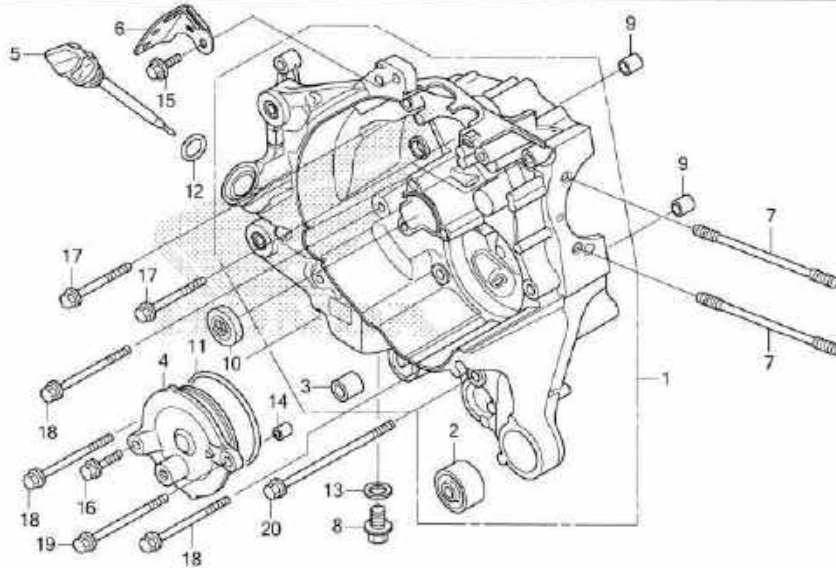


# E-19-10

# RIGHT CRANKCASE



No. Ref.	L.O.N.	(Nomor ref. relatif) Deskripsi	F.R.T.
1	110120	CRANKCASE :RIGHT ..... .TERMASUK: Penurunan dan pemasangan mesin	3,8
	1101A2	CRANKCASE :KEDUA-DUANYA ..... .TERMASUK: Penurunan dan pemasangan mesin	4,9
10	110132	OIL SEAL, CRANKSHAFT :RIGHT ..... .TERMASUK: Penurunan dan pemasangan mesin	3,6
	1101H3	OIL SEAL, CRANKSHAFT :KEDUA-DUANYA ..... .TERMASUK: Penurunan dan pemasangan mesin	4,0

No. Ref.	No. Part	Deskripsi	Jumlah SC00PY eSP (ACF110) CBS ISS (CBT) 2017(1) 2018(6)	No. Seri	Kode Partis Catalog
1	11100-K25-600	CRANKCASE COMP., R. ....	1	1	
2	11103-KVB-901	BUSH, ENGINE HANGER RUBBER (H0)	1	1	
	11103-KVB-930	BUSH, ENGINE HANGER RUBBER.	1	1	
	11216-GGC-900	.....	1	1	
3	11205-GBC-300	BUSH, MAIN STAND .....	1	1	
4	11361-K44-V00	COVER, OIL PUMP .....	1	1	
5	15651-KZL-930	GAUGE, OIL LEVEL .....	1	1	
6	32962-K81-N00	CLAMP, ENGINE HARNESS .....	1	1	
7	90031-K44-V00	BOLT A, STUD, 7X192.5 .....	2	2	
8	90131-883-000	BOLT, DRAIN PLUG, 12X15 .....	1	1	
9	90702-KZL-930	PIN, SPECIAL DOWEL, 6.3X10X12	2	2	
10	91201-K44-V01	OIL SEAL, 20.8X30.5X6 .....	1	1	
11	91301-K44-V00	O-RING, 61X2 .....	1	1	
12	91307-035-000	O-RING, 18X3 .....	1	1	
13	94109-12000	WASHER, DRAIN PLUG, 12MM ...	1	1	
14	94301-08100	DOWEL PIN, 8X10 .....	1	1	
15	95701-06014-00	BOLT, FLANGE, 6X14 .....	1	1	
16	95701-06020-00	BOLT, FLANGE, 6X20 .....	1	1	
17	95701-06055-00	BOLT, FLANGE, 6X55 .....	3	3	
18	95701-06080-00	BOLT, FLANGE, 6X80 .....	3	3	
19	95701-06090-00	BOLT, FLANGE, 6X90 .....	1	1	
20	95701-06115-00	BOLT, FLANGE, 6X115 .....	1	1	

2