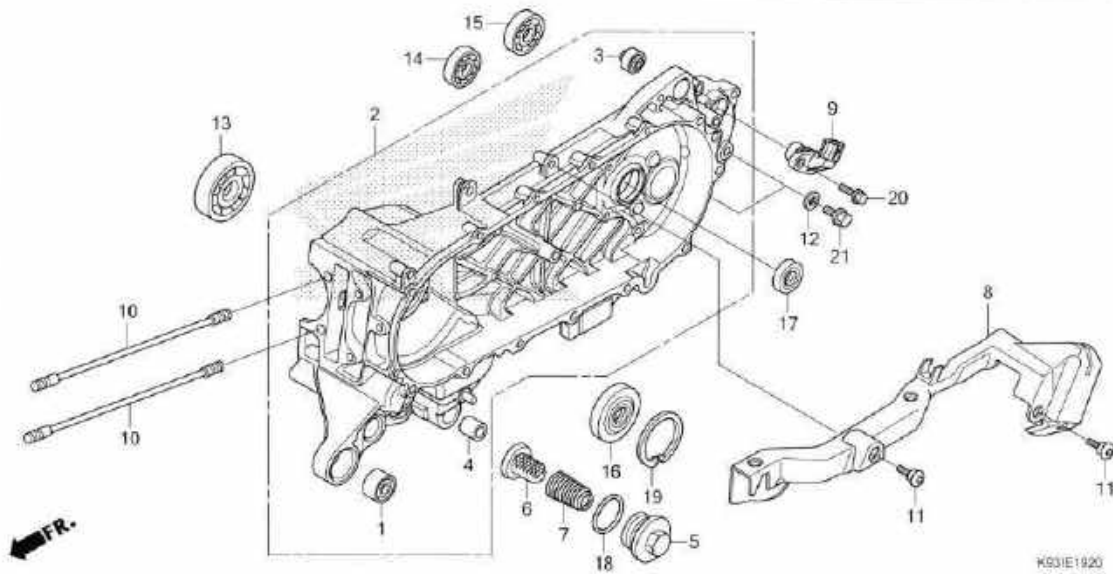


E-19-20

LEFT CRANKCASE



No. Ref.	L.O.N.	(Nomor ref. relatif) Deskripsi	F.R.T.
2	110115	CRANKCASE :LEFT	4,7
		.TERMASUK: Penurunan dan pemasangan mesin	
	1101A2	CRANKCASE :KEDUA-DUANYA	4,9
		.TERMASUK: Penurunan dan pemasangan mesin	
6		(5,7,18)	
	1131B5	SCREEN, OIL FILTER	0,2
9	617197	SENSOR, WHEEL SPEED :REAR	0,8
13	1101B6	BEARING, CRANKSHAFT :LEFT	3,9
		.TERMASUK: Penurunan dan pemasangan mesin	
14	2101C7	BEARING, COUNTERSHAFT :LEFT	1,0
	2101C9	BEARING, COUNTERSHAFT :KEDUA-DUANYA	1,1
15	2101E5	BEARING, FINAL GEAR SHAFT :LEFT	1,0
	2101J0	BEARING, FINAL GEAR SHAFT :KEDUA-DUANYA	1,1
16	110131	OIL SEAL, CRANKSHAFT :LEFT	3,9
		.TERMASUK: Penurunan dan pemasangan mesin	
	1101H3	OIL SEAL, CRANKSHAFT :KEDUA-DUANYA	4,0
		.TERMASUK: Penurunan dan pemasangan mesin	
17	2101E7	OIL SEAL, DRIVESHAFT	1,1

No. Ref.	No. Part	Deskripsi	Jumlah SCOOTY USF (ACF110) CBS ISS (C&T) 2017(M), 2018(J)	No. Seri	Kode Parts Catalog
1	11103-KVB-901	BUSH, ENGINE HANGER RUBBER (HO)	1	1	
	11103-KVB-930	BUSH, ENGINE HANGER RUBBER	1	1	
	11216-GGC-900	1	1	
2	11200-K44-V00	CRANKCASE COMP., L.	1	1	
3	11203-K35-J00	BUSH, RR. CUSHION UNDER RUBBER	1	1	
	11203-KVB-901	BUSH, RR. CUSHION UNDER RUBBER (HO)	1	1	
4	11205-GBC-300	BUSH, MAIN STAND	1	1	
5	12361-035-000	CAP, TAPPET ADJUSTING HOLE	1	1	
6	15421-107-000	SCREEN, OIL FILTER	1	1	
	15421-KPL-900	1	1	
	15426-KVB-900	SPRING, OIL FILTER SCREEN ..	1	1	
8	32112-K50-T00	PROTECTOR, SPEED SENSOR	1	1	
9	37700-K48-A01	SENSOR ASSY., SPEED	1	1	
10	90032-K44-V00	BOLT B, STUD, 7X197	2	2	
11	90101-K29-900	BOLT, SOCKET, 6X18	2	2	
12	90474-333-000	WASHER, SEALING, 8MM	2	2	
13	91002-K44-V01	BEARING, RADIAL BALL SPECIAL, 6007 (FU)	1	1	
	91002-K46-N21	BEARING, RADIAL BALL SPECIAL, 6007 (SK)	1	1	
	91002-K50-T01	BEARING, RADIAL BALL SPECIAL, 6007 (NT)	1	1	
14	91005-K50-T01	BEARING, RADIAL BALL, 6301 (SK)	1	1	

