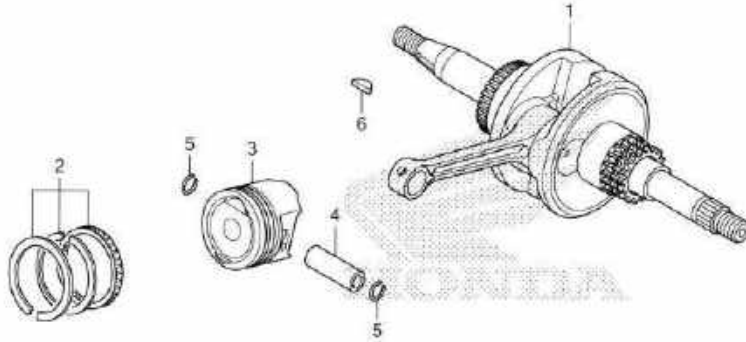


E-20

CRANKSHAFT/PISTON



FR.

K93IE2000

No. Ref.	L.O.N.	(Nomor ref. relatif) Deskripsi	F.R.T.
1	1101B5	CRANKSHAFT	4,1
3	111103	PISTON RING DAN/ATAU PISTON(SATU) (2,4,5)	2,8

2

No. Ref.	No. Part	Deskripsi	Jumlah	No. Seri	Kode Parts Catalog
1	13000-K44-J00	CRANKSHAFT COMP.	1 1		
2	13011-K81-N00	RING SET, PISTON(STD.) (RK) .	1 1		
	13011-K93-N00	RING SET, PISTON(STD.) (TP) .	1 1		
	13021-K81-N00	RING SET, PISTON(0.25) (RK) .	(1) (1)		
	13021-K93-N00	RING SET, PISTON(0.25) (TP) .	(1) (1)		
	13031-K81-N00	RING SET, PISTON(0.50) (RK) .	(1) (1)		
	13031-K93-N00	RING SET, PISTON(0.50) (TP) .	(1) (1)		
	13041-K81-N00	RING SET, PISTON(0.75) (RK) .	(1) (1)		
	13041-K93-N00	RING SET, PISTON(0.75) (TP) .	(1) (1)		
	13051-K81-N00	RING SET, PISTON(1.00) (RK) .	(1) (1)		
	13051-K93-N00	RING SET, PISTON(1.00) (TP) .	(1) (1)		
3	13101-K81-P00	PISTON(STD.)	1 1		
	13102-K81-P00	PISTON(0.25)	(1) (1)		
	13103-K81-P00	PISTON(0.50)	(1) (1)		
	13104-K81-P00	PISTON(0.75)	(1) (1)		
	13105-K81-P00	PISTON(1.00)	(1) (1)		
4	13111-KWN-900	PIN, PISTON	1 1		
5	13115-GN5-910	CLIP, PISTON PIN, 13MM	2 2		
6	90741-003-010	KEY, WOODRUFF, 4MM	1 1		