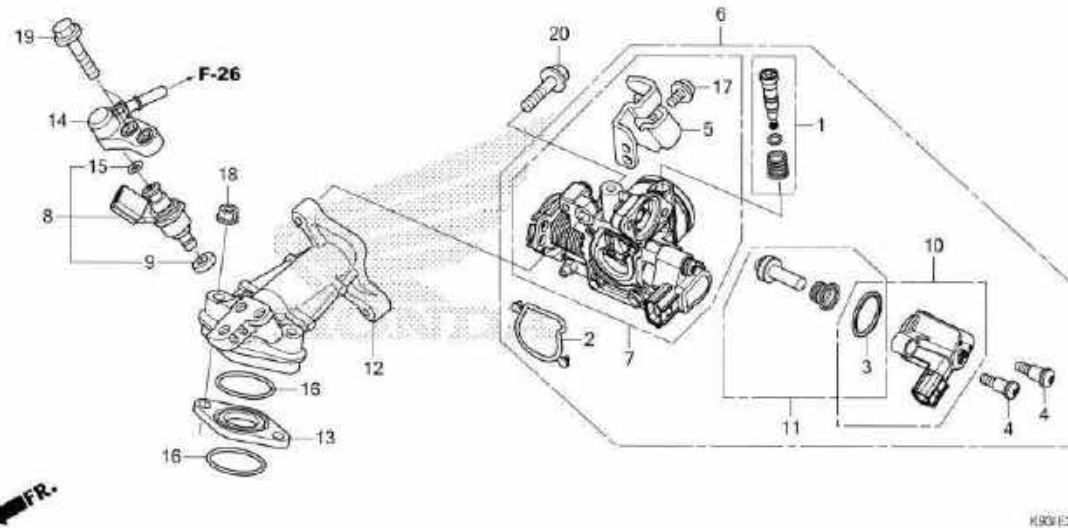


E-22

THROTTLE BODY



No. Ref.	L.O.N.	(Nomor ref. relatif) Deskripsi	F.R.T.
6		(2)	
6	311132	BODY ASSY., THROTTLE	0,8
7	311130	BODY, THROTTLE	0,9
8		(9,14,15)	
8	311145	INJECTOR, FUEL	0,8
10		(3,11)	
12	311125	VALVE, STARTER	1,0
		(13,16)	
	111107	MANIFOLD, INTAKE	0,8

No. Ref.	No. Part	Deskripsi	Jumlah 8000P/8P(A3F110) CBS ISS (CST) 2017to 2018to	No. Seri	Kode Parts Catalog
1	16016-K03-H11	SCREW SET	1	1	
2	16075-K25-901	O-RING, THROTTLE BODY	1	1	
3	16077-KVB-S51	O-RING, 1.9X20.4	1	1	
4	16081-KYJ-901	SCREW, TORX, 5X8.7	2	2	
5	16169-K46-N21	STAY, WIRE	1	1	
6	16400-K81-N01	THROTTLE BODY ASSY.(GQRGB A)	1	1	
7	16410-K81-N01	BODY SET	1	1	
8	16450-K03-N31	INJECTOR ASSY., FUEL	1	1	
9	16472-KPC-050	RING, SEAL	1	1	
10	16480-KVB-S51	SOLENOID	1	1	
11	16485-GGZ-J01	SEAT SET	1	1	
12	17111-K81-N00	PIPE, IN.	1	1	
13	17119-GGC-900	INSULATOR, IN. PIPE	1	1	
14	17560-K44-V00	JOINT COMP., INJECTOR	1	1	
15	91301-GGL-J01	O-RING, 6.3X2.2	1	1	
16	91308-GFM-900	O-RING, 25.5X1.9	2	2	
17	93892-05012-18	SCREW-WASHER, 5X12	1	1	
18	94050-06000	NUT, FLANGE, 6MM	2	2	
19	95701-06022-00	BOLT, FLANGE, 6X22	2	2	
20	96001-06020-00	BOLT, FLANGE, 6X20	2	2	

2