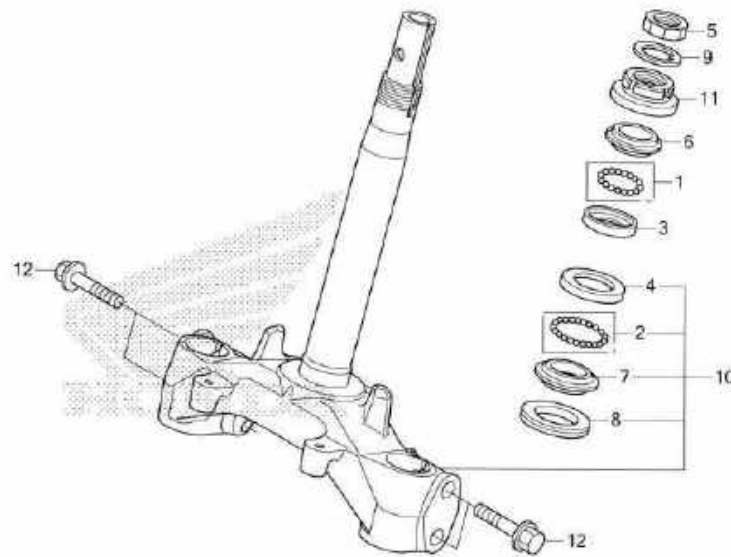


F-10

STEERING STEM



K93F1000

No. Ref.	L.O.N.	(Nomor ref. relatif) Deskripsi	F.R.T.
3		(1)	
4	5101A0	RACE, STEERING BALL :UPPER.....	1,7
	5101A1	RACE, STEERING BALL :LOWER.....	1,9
	5101C9	RACE, STEERING BALL :KEDUA-DUANYA	1,9
6	5101A9	RACE, STEERING TOP CONE.....	1,7
7		(2,8)	
	5101B0	RACE, STEERING BOTTOM CONE.....	1,9
10	510100	STEM OR SHAFT ASSY., STEERING..	1,7
11	5101B2	THREAD, STEERING HEAD TOP.....	1,5

No. Ref.	No. Part	Deskripsi	Jumlah 9000PY (SP (ACF110)) CBS188 (GBT) 2017(H) 2018(J)	No. Seri	Kode Parts Catalog
1	06530-GBG-B20	BALL SET, STEEL, #6X23	1	1	
2	06531-GBG-B20	BALL SET, STEEL, #6X29	1	1	
3	50301-GN5-901	RACE, STEERING TOP BALL	1	1	
4	50302-GN5-900	RACE, STEERING BOTTOM BALL ..	1	1	
5	50306-GN5-900	NUT, STEERING STEM LOCK	1	1	
6	53211-GN5-900	RACE, STEERING TOP CONE	1	1	
7	53212-GN5-900	RACE, STEERING BOTTOM CONE ..	1	1	
8	53214-GN5-900	DUST SEAL, STEERING HEAD	1	1	
9	53216-GN5-830	WASHER, STEERING STEM NUT ...	1	1	
10	53219-K93-N00	STEM SUB ASSY., STEERING	1	1	
11	53220-GN5-900	THREAD COMP., STEERING HEAD TOP	1	1	
12	95801-10045-08	BOLT, FLANGE, 10X45	4	4	

3