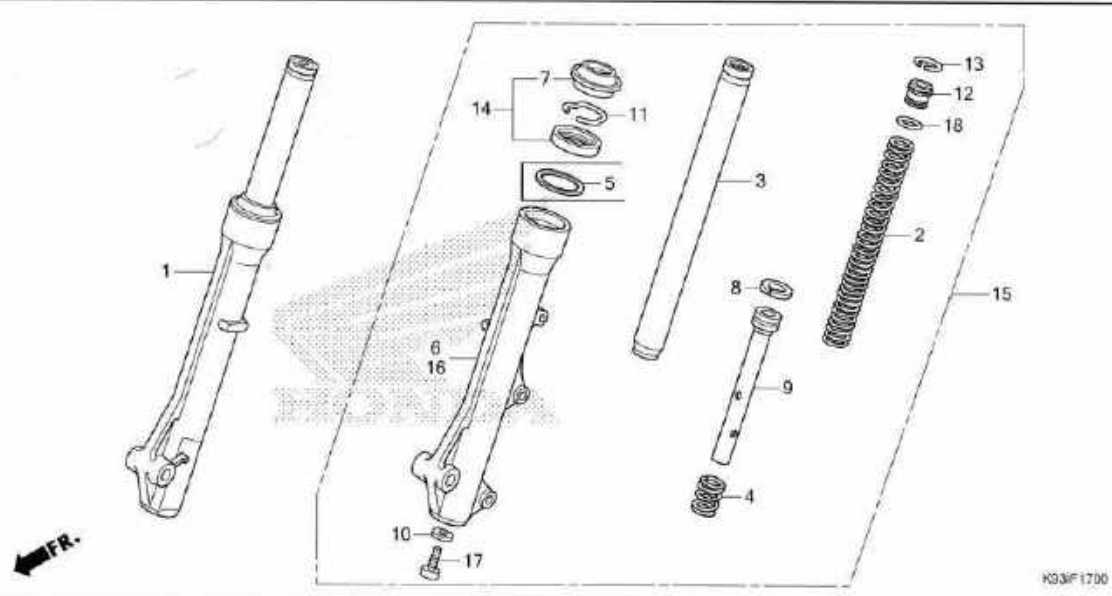


F-17

FRONT FORK



No. Ref.	L.O.N.	(Nomor ref. relatif) Deskripsi	F.R.T.
1	5111C3	FORK ASSY., FRONT :RIGHT.....	0,4
2	5111C5	SPRING, FRONT FORK :LEFT.....	0,6
	5111C6	SPRING, FRONT FORK :RIGHT.....	0,6
	5111C7	SPRING, FRONT FORK :KEDUA-DUANYA (4,8,9)	0,9
3	5111G2	PIPE, FRONT FORK :LEFT.....	0,8
	5111G3	PIPE, FRONT FORK :RIGHT.....	0,8
	5111G4	PIPE, FRONT FORK :KEDUA-DUANYA	1,3
6	5111D2	CASE, BOTTOM :RIGHT.....	0,9
14	5111E7	SEAL SET, FRONT FORK :LEFT.....	0,9
	5111E8	SEAL SET, FRONT FORK :RIGHT.....	0,9
	5111E9	SEAL SET, FRONT FORK :KEDUA-DUANYA	1,5
15	5111C2	FORK ASSY., FRONT :LEFT.....	0,4
	5111C4	FORK ASSY., FRONT :KEDUA-DUANYA	0,5
16	5111D1	CASE, BOTTOM :LEFT.....	0,9
	5111D3	CASE, BOTTOM :KEDUA-DUANYA.....	1,5

3

No. Ref.	No. Part	Deskripsi	Jumlah		No. Seri	Kode Parts Catalog
			SCOOTER (SP/ACF110) CBS ISS (CBT) 2017(in) 2018(d)			
1	51400-K81-N01	FORK ASSY., R. FR. (SH)	1	1	-----	2IN,3IN
	51400-K93-N02	FORK ASSY., R. FR. (KY)	1	1	-----	IN
2	51401-K2R-601	SPRING, FR. FORK (SH)	2	2	-----	2IN,3IN
	51401-K93-N02	SPRING, FR. FORK (KY)	2	2	-----	IN
3	51410-K2L-A01	PIPE COMP., FR. FORK (SH)	2	2	-----	2IN,3IN
	51410-K93-N02	PIPE COMP., FR. FORK (KY)	2	2	-----	IN
4	51412-GN5-901	SPRING, REBOUND (SH)	2	2	-----	2IN,3IN
	51411-KVG-901	SPRING, REBOUND	2	2	-----	IN
5	51412-KWB-601	RING, BACK UP	2	2	-----	2IN,3IN
6	51420-K81-N01	CASE COMP., R. FR. BOTTOM (SH)	1	1	-----	2IN,3IN
	51420-K93-N02	CASE, R. FR. BOTTOM (KY)	1	1	-----	IN
7	51425-GN5-901	SEAL, DUST (SH)	2	2	-----	2IN,3IN
	51425-K93-N02	SEAL, DUST (KY)	2	2	-----	IN
8	51437-KWB-601	RING, PISTON	2	2	-----	2IN,3IN
	51437-KVG-901	2	2	-----	IN
9	51470-K81-N01	PIPE, SEAT (SH)	2	2	-----	2IN,3IN
	51440-K93-N02	PIPE, SEAT (KY)	2	2	-----	IN
10	90544-283-000	WASHER, SPECIAL, 8MM (SH)	2	2	-----	2IN,3IN
	51442-K93-N02	WASHER, OIL BOLT	2	2	-----	IN
11	51466-065-901	RING, OIL SEAL STOPPER (SH) ..	2	2	-----	2IN,3IN
	51447-KVG-901	RING, SNAP	2	2	-----	IN
12	51454-KEV-881	SEAT B, SPRING	2	2	-----	2IN,3IN
	51454-K93-N02	CAP, FR. FORK	2	2	-----	IN
13	51456-KPH-901	RING, STOPPER	2	2	-----	2IN,3IN
	51456-K93-N02	RING, SNAP (KY)	2	2	-----	IN
14	51490-KGH-901	SEAL SET, FR. FORK (SH)	2	2	-----	2IN,3IN
	51490-K93-N02	SEAL SET, FR. FORK (KY)	2	2	-----	IN
15	51500-K81-N01	FORK ASSY., L. FR. (SH)	1	1	-----	2IN,3IN