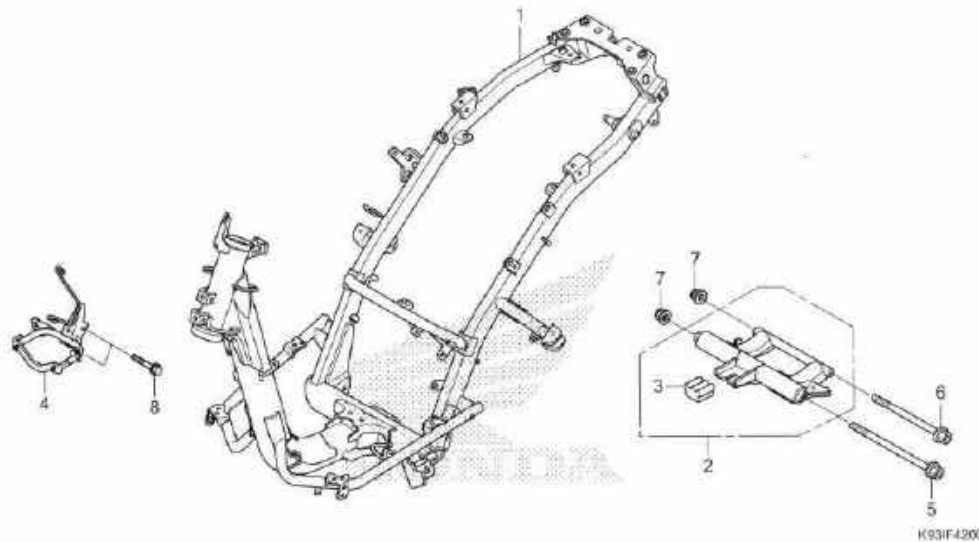


F-42

FRAME BODY



No. Ref.	L.O.N.	(Nomor ref. relatif) Deskripsi	F.R.T.
1	410100	BODY, FRAME..... .TERMASUK: Penurunan dan pemasangan mesin	5,3
2	4101B5	LINK, ENGINE HANGER..... .TERMASUK: Penurunan dan pemasangan mesin	1,6
4	411105	STAY, FRONT COVER.....	0,5

No. Ref.	No. Part	Deskripsi	Jumlah		No. Seri	Kode Parts Catalog
			SCOOTY JSP (ADF110) CBS 155 (CBT) 2017(H) 2018(L)			
1	50100-K93-N00	BODY COMP., FRAME	1	1		
2	50350-K81-N00	LINK ASSY., ENGINE HANGER ...	1	1		
3	50352-K59-A10	RUBBER, LINK STOPPER	1	1		
4	64223-K93-N00	STAY, FR. COVER	1	1		
5	90105-KVY-900	BOLT, FLANGE, 10X270	1	1		
6	90106-GCC-000	BOLT, FLANGE, 10X238	1	1		
7	90304-KGH-901	NUT, U, 10MM	2	2		
8	95801-08032-00	BOLT, FLANGE, 8X32	2	2		

3