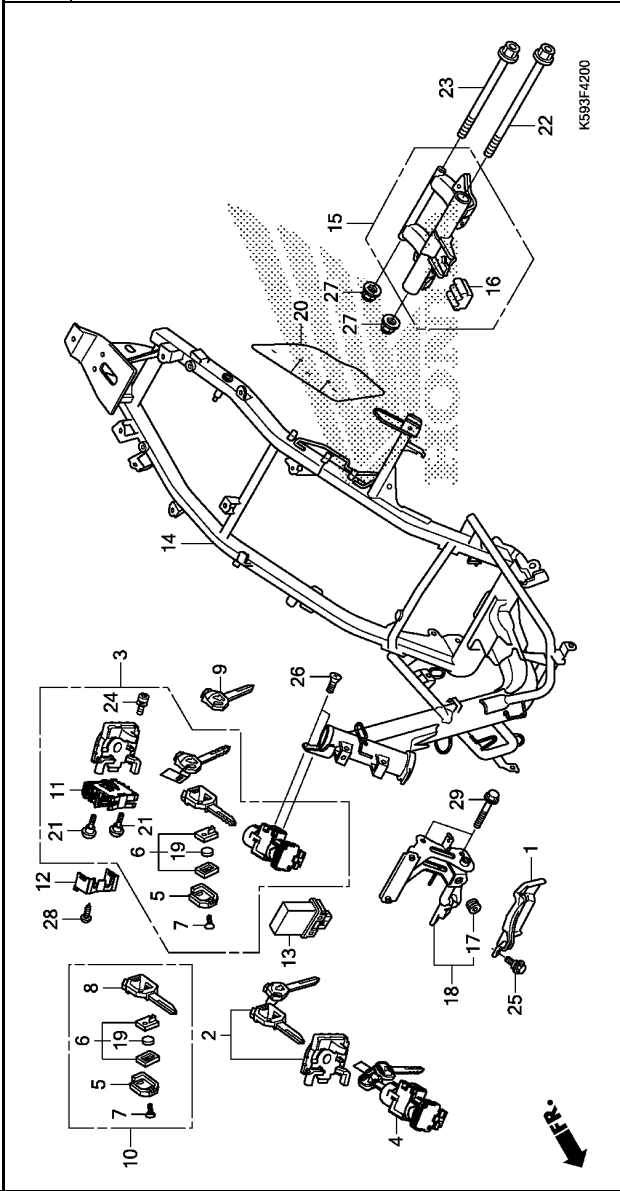


F-42

FRAME BODY

Ref. No.	L.O.N.	(Relative ref. Number)	Description	F.R.T.
2	6151A2	KEY, SHUTTER	.....	1.2
		-EXCLUDES: Key cutting	.....	
3	6151A1	KEY SET	.....	1.3
4	615145	SWITCH, COMBINATION & LOCK	.....	1.3
11	6151C3	SWITCH, SEAT	.....	0.2
13	6181C8	CONTROL UNIT, ANSWER BACK	.....	0.3
14	410100	BODY, FRAME	.....	4.3
		-INCLUDES: Engine removal and installation	.....	
15	4101B5	LINK, ENGINE HANGER	.....	2.0
		-INCLUDES: Engine removal and installation	.....	
18	411105	STAY, FRONT COVER	.....	0.3



Ref. No.	Part No.	Description	Reqd. QTY	Serial No.	Parts catalogue code
1	30405-KZR-600	GUARD, ENGINE CONTROL UNIT	1		
2	35011-K59-A10	SHUTTER SET, KEY	1		
3	35012-K59-A10	KEY SET, SWITCH & SHUTTER	1		
4	35101-K46-N01	SWITCH ASSY., COMBINATION & LOCK	1		
5	35112-KVG-V41	CASE, BOTTOM	1		
			(1)		
6	35113-K27-V51	MODULE ASSY., ANSWER BACK	1		
			(1)		
7	35114-KVG-V41	SCREW, FLAT	1		
			(1)		
8	35115-K59-A11	CASE COMP., TOP	1		
9	35121-K46-N00	KEY, BLANK	1		
		(NOTAGTOP2REPORDER)			
10	35121-K59-A10	KEY, BLANK	1		
		(A1TAGTOP2REPORDER)			
11	35190-K46-N02	SWITCH ASSY., SEAT OPENER	1		
12	35191-K27-V01	COVER, CABLE	1		
13	38385-K27-V51	CONTROL UNIT, ANSWER BACK	1		
14	50100-K59-A11	BODY COMP., FRAME	1		
15	50350-K59-A10	LINK ASSY., ENGINE HANGER	1		
16	50352-K59-A10	RUBBER, LINK STOPPER	1		
17	64216-GJ2-730	RUBBER, SCREEN SETTING	1		
18	64223-K59-A10	STAY, FR. COVER	1		
19	72148-SEA-900	BATTERY COMP.(CR1220)	1		
			(1)		